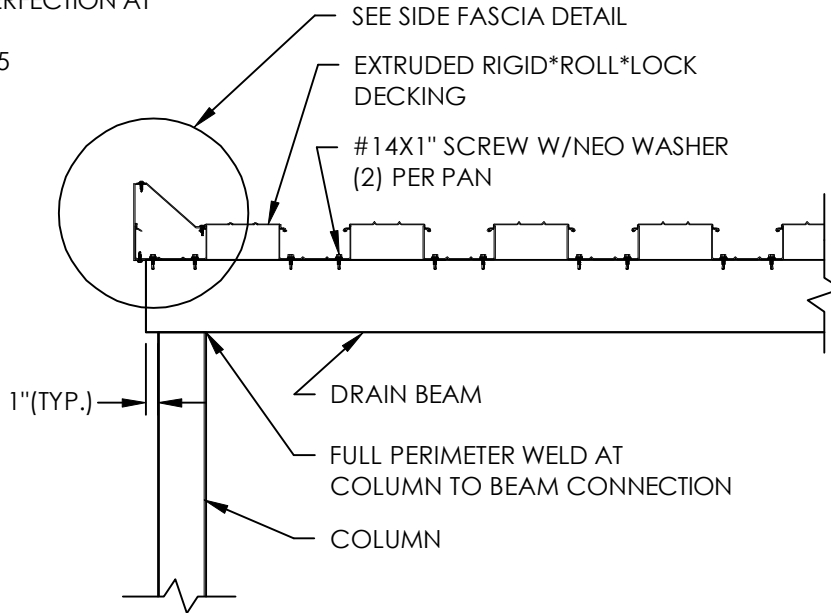
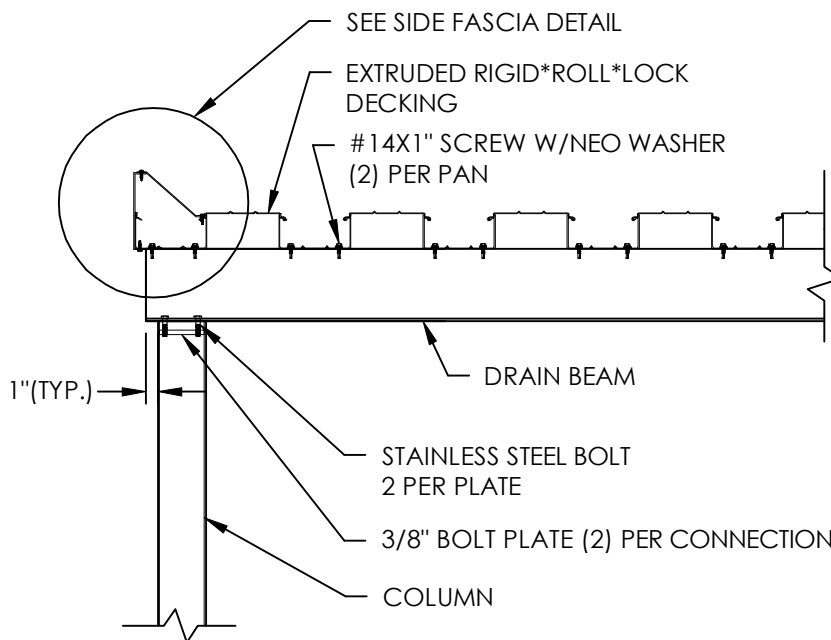


FOR FURTHER DESIGN ASSISTANCE  
PLEASE CALL PERFECTION AT  
1-800-238-7207  
OR 407-671-6225



TYPICAL WELDED CONNECTION



TYPICAL CONCEALED MECHANICAL CONNECTION



**Perfection Architectural Systems, Inc**  
*Service, Quality, Reliability.*

2310 Mercator Drive, Orlando, FL 32807  
407.671.6225 / 800.238.7207 Fax: 407.671.8252  
[www.perfectionarch.com](http://www.perfectionarch.com)

U Bent Details